

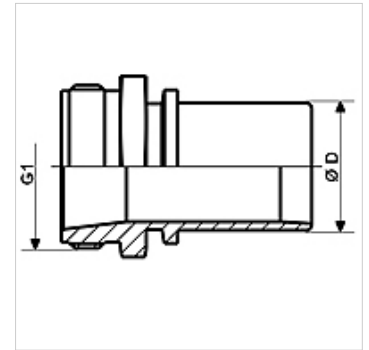
TW-TG VA

Tank truck fitting, stainless steel

HANSA FLEX

Properties

Application	Tankers
Connection 1	Hose connection
Connection 2	BSP cylindrical external threads
Design	with safety collar
Standard	DIN EN 14 420-5
Material	Stainless steel



Item

Identification	DN*	Ø D (mm)	G1	Max. working pressure (bar)
TW-TG 12 13 VA	13	13,4	G 1/2" -14	16
TW-TG 34 19 VA	19	19,4	G 3/4" -14	16
TW-TG 10 25 VA	25	25,4	G 1" -11	16
TW-TG 114 32 VA	31	32,4	G 1.1/4" -11	16
TW-TG 112 38 VA	38	38,4	G 1.1/2" -11	16
TW-TG 20 50 VA	50	50,4	G 2" -11	16
TW-TG 212 63 VA	63	63,4	G 2.1/2" -11	16
TW-TG 30 63 VA	63	63,4	G 3" -11	16
TW-TG 30 75 VA	75	75,4	G 3" -11	16
TW-TG 30 80 VA	80	80,4	G 3" -11	16
TW-TG 40 100 VA	100	100,4	G 4" -11	16

DN = Nominal diameter, nominal width

Product versions

TW-TG MG Tanker fitting, brass, Brass

Accessories

KS AL	Clamp ring fitting, aluminium
KS FIX AL	Clamping shell for pinning, aluminium

Accessory for following products

TW	Tank truck hose
TW OW	Tank truck hose without helix