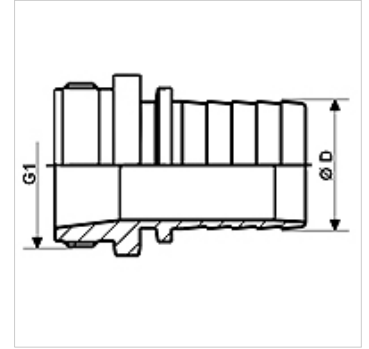


TW-T MG

Tank truck fitting, brass

Properties

Application	Tankers
Connection 1	Hose connection
Connection 2	BSP cylindrical external threads
Design	with safety collar
Standard	DIN EN 14 420-5
Material	Brass



Item

Identification	DN*	Ø D (mm)	G1	Max. working pressure (bar)
TW-T 12 13 MG	13	13,4	G 1/2" -14	16
TW-T 34 19 MG	19	19,4	G 3/4" -14	16
TW-T 10 25 MG	25	25,4	G 1" -11	16
TW-T 114 32 MG	31	32,4	G 1.1/4" -11	16
TW-T 112 38 MG	38	38,4	G 1.1/2" -11	16
TW-T 20 50 MG	50	50,4	G 2" -11	16
TW-T 212 63 MG	63	63,4	G 2.1/2" -11	16
TW-T 30 75 MG	75	75,4	G 3" -11	16
TW-T 40 100 MG	100	100,4	G 4" -11	16

DN = Nominal diameter, nominal width

Accessories

KS AL	Clamp ring fitting, aluminium
KS FIX AL	Clamping shell for pinning, aluminium

Accessory for following products

TW	Tank truck hose
TW OW	Tank truck hose without helix