

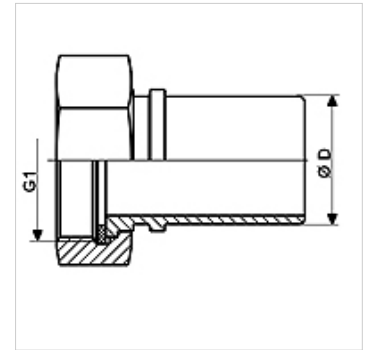
# TW-TUEG MG

Tanker fitting, brass

**HANSA FLEX**

## Properties

<b>Application</b>	Tankers
<b>Connection 1</b>	Hose connection
<b>Connection 2</b>	BSP nut thread
<b>Sealing form 2</b>	Flat seal
<b>Design</b>	with safety collar
<b>Standard</b>	DIN EN 14 420-5
<b>Scope of supply</b>	with PUR flat seal
<b>Material</b>	Brass



## Item

Identification	DN*	Ø D (mm)	G1	Max. working pressure (bar)
<b>TW-TUEG 12 13 MG</b>	13	13,4	G 1/2" -14	16
<b>TW-TUEG 34 19 MG</b>	19	19,4	G 3/4" -14	16
<b>TW-TUEG 10 25 MG</b>	25	25,4	G 1" -11	16
<b>TW-TUEG 114 32 MG</b>	32	32,4	G 1.1/4" -11	16
<b>TW-TUEG 112 35 MG</b>	35	35,0	G 1.1/2"	16
<b>TW-TUEG 112 38 MG</b>	38	38,4	G 1.1/2"	16
<b>TW-TUEG 20 38 MG</b>	38	38,4	G 2" -11	16
<b>TW-TUEG 20 50 MG</b>	50	50,4	G 2" -11	16
<b>TW-TUEG 212 63 MG</b>	63	63,4	G 2.1/2" -11	16
<b>TW-TUEG 30 75 MG</b>	75	75,4	G 3" -11	16
<b>TW-TUEG 40 100 MG</b>	100	100,4	G 4" -11	16

DN = Nominal diameter, nominal width

## Product versions

**TW-TUEG VA** Tank truck fitting, stainless steel, Stainless steel

## Accessories

<b>KS AL</b>	Clamp ring fitting, aluminium
<b>KS FIX AL</b>	Clamping shell for pinning, aluminium

## Accessory for following products

<b>TW</b>	Tank truck hose
<b>TW OW</b>	Tank truck hose without helix