

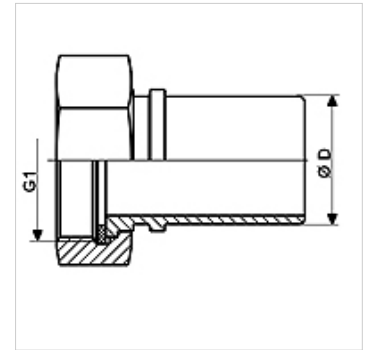
# TW-TUEG VA

Tank truck fitting, stainless steel

**HANSA FLEX**

## Properties

<b>Application</b>	Tankers
<b>Connection 1</b>	Hose connection
<b>Connection 2</b>	BSP nut thread
<b>Sealing form 2</b>	Flat seal
<b>Design</b>	with safety collar
<b>Standard</b>	DIN EN 14 420-5
<b>Scope of supply</b>	with PTFE flat seal
<b>Material</b>	Stainless steel



## Item

Identification	DN*	Ø D (mm)	G1	Max. working pressure (bar)
TW-TUEG 12 13 VA	13	13,4	G 1/2" -14	16
TW-TUEG 34 19 VA	19	19,4	G 3/4" -14	16
TW-TUEG 10 25 VA	25	25,4	G 1" -11	16
TW-TUEG 114 32 VA	32	32,4	G 1.1/4" -11	16
TW-TUEG 112 38 VA	38	38,4	G 1.1/2" -11	16
TW-TUEG 20 50 VA	50	50,4	G 2" -11	16
TW-TUEG 212 63 VA	63	63,4	G 2.1/2" -11	16
TW-TUEG 30 75 VA	75	75,4	G 3" -11	16
TW-TUEG 40 100 VA	100	100,4	G 4" -11	16

DN = Nominal diameter, nominal width

## Product versions

TW-TUEG MG Tanker fitting, brass, Brass

## Accessories

KS AL Clamp ring fitting, aluminium  
KS FIX AL Clamping shell for pinning, aluminium

## Accessory for following products

TW Tank truck hose  
TW OW Tank truck hose without helix