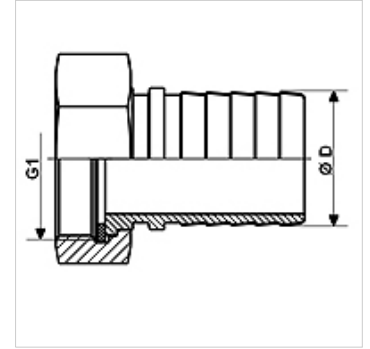


TW-TUE MG

Tank truck fitting, brass

Properties

Application	Tankers
Connection 1	Hose connection
Connection 2	BSP nut thread
Sealing form 2	Flat seal
Design	with safety collar
Standard	DIN EN 14 420-5
Scope of supply	with PUR flat seal
Material	Brass



Item

Identification	DN*	Ø D (mm)	G1	Max. working pressure (bar)
TW-TUE 12 13 MG	13	13,4	G 1/2" -14	16
TW-TUE 34 19 MG	19	19,4	G 3/4" -14	16
TW-TUE 10 25 MG	25	25,4	G 1" -11	16
TW-TUE 114 32 MG	32	32,4	G 1.1/4" -11	16
TW-TUE 112 38 MG	35	38,4	G 1.1/2"	16
TW-TUE 20 50 MG	50	50,4	G 2" -11	16
TW-TUE 212 63 MG	63	60,4	G 2.1/2" -11	16
TW-TUE 30 75 MG	75	75,4	G 3" -11	16
TW-TUE 40 100 MG	100	100,4	G 4" -11	16

DN = Nominal diameter, nominal width

Accessories

KS AL	Clamp ring fitting, aluminium
KS FIX AL	Clamping shell for pinning, aluminium

Accessory for following products

TW	Tank truck hose
TW OW	Tank truck hose without helix