

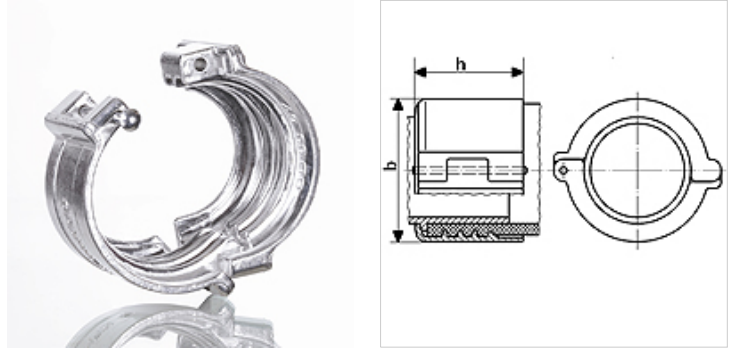
# KS FIX AL

Clamping shell for pinning, aluminium

**HANSA FLEX**

## Properties

<b>Application</b>	Integrating clamp ring fittings with hose
<b>Design</b>	Clamping shells
<b>Construction type</b>	for pinning
<b>Material</b>	Aluminium



## Item

Identification	for hose	Clamping range (mm)	Max. working pressure (bar)	b (mm)	h (mm)
<b>KS 36-39 FIX AL</b>	25 x 6	36 - 39	16	58	46
<b>KS 43-46 FIX AL</b>	32 x 6	43 - 46	16	66	48
<b>KS 50-53 FIX AL</b>	38 x 6.5	50 - 53	16	73	52
<b>KS 63-67 FIX AL</b>	50 x 8	63 - 67	16	89	56
<b>KS 89-94 FIX AL</b>	75 x 8	89 - 94	16	118	76