

PA 700 HS PLUS

Swage fitting, CES

HANSA FLEX

Properties

Application Swage fitting for HD 700 PLUS hoses

Connection 1 metric cylindrical outer thread

Sealing form 1 24° inner cone

Short code CES

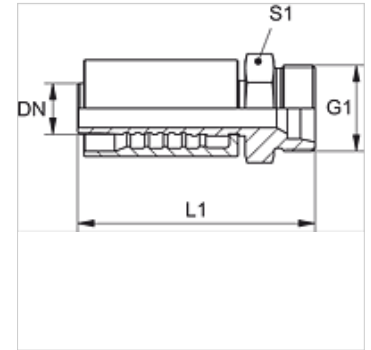
Standard ISO 8434-1

Integration with pull-out protection (interlock)

Scope of supply Swage nipple + swage ferrule

Material Steel

Surface electro galvanised



Item

Identification	DN	Size	Inches	Series	G1	for external pipe Ø (mm)	L1 (mm)	S1
PA 720 HS PLUS	19	12	3/4"	S	M 36 x 2	25	88,4	41
PA 732 HS PLUS	31	20	1.1/4"	S	M 52 x 2	38	124,4	55