

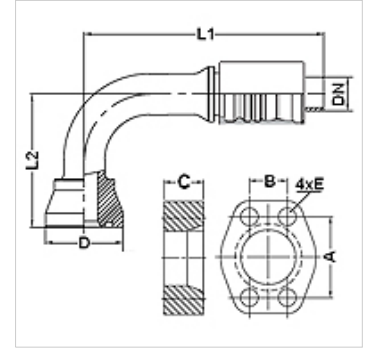
PA 700 SK6 90 PLUS

Swage fitting, SK6 angle 90°

HANSA FLEX

Properties

Application	Swage fitting for HD 700 PLUS hoses
Connection 1	SAE flange connection 6000 PSI
Sealing form 1	flat seal with SF O-ring
Integration	with pull-out protection (interlock)
Scope of supply	Swage nipple + swage ferrule
Additional feature	cone SAE fitting
Material	Steel
Surface	electro galvanised



Item

Identification	DN	Size	Inches	Flange size	D (mm)	M metr.	L1 (mm)	L2 (mm)	A (mm)	B (mm)	C (mm)	E (mm)
PA 720 SK6 90 PLUS	19	12	3/4"	3/4"	43,5	M 10 x 45	134,8	75,0	50,8	23,8	25,0	11
PA 725 SK6 90 PLUS	25	16	1"	1"	49,4	M 12 x 50	155,0	90,0	57,2	27,8	27,0	13
PA 725 SK6 32 90 PLUS	25	16	1"	1.1/4"	57,4		167,6	105,0	66,6	31,8	32,0	15
PA 732 SK6 90 PLUS	31	20	1.1/4"	1.1/4"	57,4		185,0	120,0	66,6	31,8	32,0	15
PA 732 SK6 90 L 160 PLUS	31	20	1.1/4"	1.1/4"	57,4		185,0	160,0	66,6	31,8	32,0	15
PA 732 SK6 40 90 PLUS	31	20	1.1/4"	1.1/2"	68,4		213,1	125,9	79,3	36,5	40,0	17
PA 740 SK6 90 PLUS	38	24	1.1/2"	1.1/2"	68,4		234,0	140,0	79,3	36,5	40,0	17
PA 740 SK6 90 L180 PLUS	38	24	1.1/2"	1.1/2"	68,4		234,0	180,0	79,3	36,5	40,0	17
PA 740 SK6 90 L215 PLUS	38	24	1.1/2"	1.1/2"	68,4		234,0	215,0	79,3	36,5	40,0	17
PA 740 SK6 50 90 PLUS	38	24	1.1/2"	2"	83,5		287,0	160,0	96,8	44,5	50,0	21
PA 740 SK6 50 90 L 180 PL	38	24	1.1/2"	2"	83,5		284,0	180,0	96,8	44,5	50,0	21
PA 750 SK6 90 PLUS	51	32	2"	2"	83,5		272,9	180,0	96,8	44,5	50,0	21
PA 750 SK6 90 L280 PLUS	51	32	2"	2"	83,5		217,6	280,0	96,8	44,5	50,0	21

Accessories

FS	Seal for SAE and ISO flanges
SCHRAUBE M	Hexagon socket screw
SCHRAUBE M VZ	Hexagon socket screw