

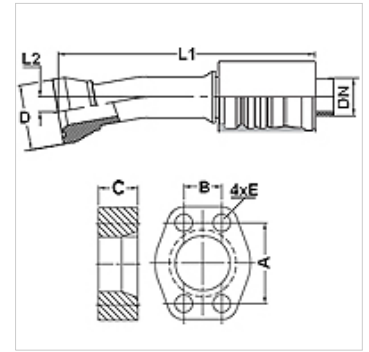
# PA 700 SK6 15 PLUS

Swage fitting, SK6 angle 15°

**HANSA FLEX**

## Properties

<b>Application</b>	Swage fitting for HD 700 PLUS hoses
<b>Connection 1</b>	SAE flange connection 6000 PSI
<b>Sealing form 1</b>	flat seal with SF O-ring
<b>Integration</b>	with pull-out protection (interlock)
<b>Scope of supply</b>	Swage nipple + swage ferrule
<b>Additional feature</b>	cone SAE fitting
<b>Material</b>	Steel
<b>Surface</b>	electro galvanised



## Item

Identification	DN	Size	Inches	Flange size	D (mm)	M metr.	L1 (mm)	L2 (mm)	A (mm)	B (mm)	C (mm)	E (mm)
PA 725 SK6 15 PLUS	25	16	1"	1"	57,4	M 12 x 50	199,1	14,0	57,2	27,8	27,0	13
PA 732 SK6 15 L 20 PLUS	31	20	1.1/4"	1.1/4"	57,4		229,0	20,0	66,6	31,8	32,0	15
PA 732 SK6 40 15 L 20 PL	31	20	1.1/4"	1.1/2"	68,4		254,0	20,3	79,3	36,5	40,0	17
PA 740 SK6 15 PLUS	38	24	1.1/2"	1.1/2"	68,4		293,0	25,0	79,3	36,5	40,0	17
PA 750 SK6 15 PLUS	51	32	2"	2"	83,5		303,0	25,0	96,8	44,5	50,0	21

## Accessories

<b>FS</b>	Seal for SAE and ISO flanges
<b>SCHRAUBE M</b>	Hexagon socket screw
<b>SCHRAUBE M VZ</b>	Hexagon socket screw