

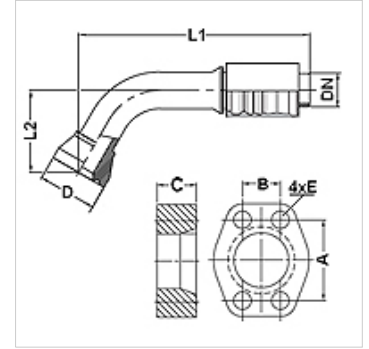
PA 700 SK6 70 PLUS

Swage fitting, SK6 angle 70°

HANSA FLEX

Properties

Application	Swage fitting for HD 700 PLUS hoses
Connection 1	SAE flange connection 6000 PSI
Sealing form 1	flat seal with SF O-ring
Integration	with pull-out protection (interlock)
Scope of supply	Swage nipple + swage ferrule
Additional feature	cone SAE fitting
Material	Steel
Surface	electro galvanised



Item

Identification	DN	Size	Inches	Flange size	M metr.	L1 (mm)	L2 (mm)	A (mm)	B (mm)	C (mm)	E (mm)
PA 725 SK6 70 PLUS	25	16	1"	1"	M 12 x 50	183,9	71,6	57,2	27,8	27,0	13

Accessories

FS	Seal for SAE and ISO flanges
SCHRAUBE M	Hexagon socket screw
SCHRAUBE M VZ	Hexagon socket screw