

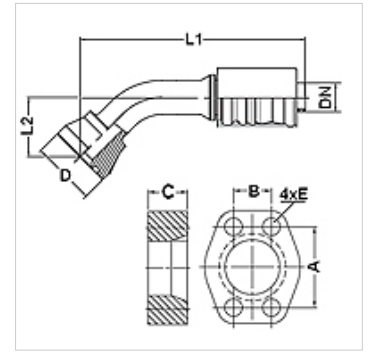
PA 700 SK6 30 PLUS

Swage fitting, SK6 angle 30°

HANSA FLEX

Properties

Application	Swage fitting for HD 700 PLUS hoses
Connection 1	SAE flange connection 6000 PSI
Sealing form 1	flat seal with SF O-ring
Integration	with pull-out protection (interlock)
Scope of supply	Swage nipple + swage ferrule
Additional feature	cone SAE fitting
Material	Steel
Surface	electro galvanised



Item

Identification	DN	Size	Inches	Flange size	D (mm)	M metr.	L1 (mm)	L2 (mm)	A (mm)	B (mm)	C (mm)	E (mm)
PA 725 SK6 32 30 PLUS	25	16	1"	1.1/4"	57,4		194,0	31,3	66,6	31,8	32,0	15
PA 732 SK6 40 30 PLUS	31	20	1.1/4"	1.1/2"	68,4		247,0	25,5	79,3	36,5	40,0	17
PA 740 SK6 30 PLUS	38	24	1.1/2"	1.1/2"	68,4		279,0	50,0	79,3	36,5	40,0	17
PA 750 SK6 30 PLUS	51	32	2"	2"	83,5		297,0	55,0	96,8	44,5	50,0	21

Accessories

FS	Seal for SAE and ISO flanges
SCHRAUBE M	Hexagon socket screw
SCHRAUBE M VZ	Hexagon socket screw