

PA 700 SF6 105 PLUS

Swage fitting, SFS angle 105°

HANSA FLEX

Properties

Application Swage fitting for HD 700 PLUS hoses

Connection 1 SAE flange connection 6000 PSI

Sealing form 1 flat seal with SF O-ring

Short code SFS

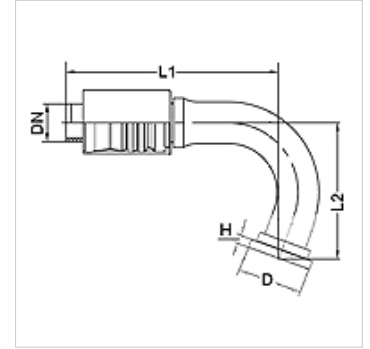
Standard SAE J518
ISO 6162-2

Integration with pull-out protection (interlock)

Scope of supply Swage nipple + swage ferrule

Material Steel

Surface electro galvanised



Item

Identification	DN	Size	Inches	Flange size	Operating pressure (bar)	D (mm)	H (mm)	L1 (mm)	L2 (mm)
PA 732 SF6 105 PLUS	31	20	1.1/4"	1.1/4"	420,0	54,0	10,5	-	-
PA 732 SF6 40 105 PLUS	31	20	1.1/4"	1.1/2"	420,0	63,5	12,6	210,0	120,0