

# PA 700 SF6 90 4 K PLUS

Swage fitting, SFS 4-Kant, angle 90°

**HANSA FLEX**

## Properties

**Application** Swage fitting for HD 700 PLUS hoses

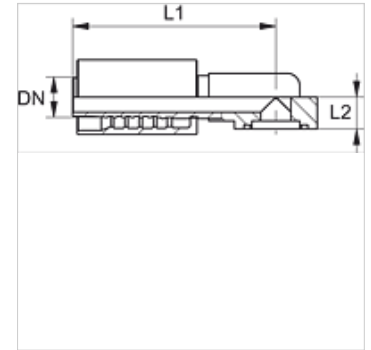
**Standard** SAE J518  
ISO 6162-2

**Integration** with pull-out protection (interlock)

**Scope of supply** Swage nipple + swage ferrule

**Material** Steel

**Surface** electro galvanised



## Item

| Identification        | DN | Size | Inches | Flange size | Operating pressure (bar) | L1 (mm) | L2 (mm) | Weight (kg) |
|-----------------------|----|------|--------|-------------|--------------------------|---------|---------|-------------|
| PA 732 SF6 90 4K PLUS | 31 | 20   | 1.1/4" | 1.1/4"      | 420,0                    | 148,5   | 38,0    | 2,45        |
| PA 740 SF6 90 4K PLUS | 38 | 24   | 1.1/2" | 1.1/2"      | 420,0                    | 183,0   | 42,0    | 0,48        |