

PA 700 SK6 135 PLUS

Swage fitting, SK6 angle 135°

HANSA FLEX

Properties

Application Swage fitting for HD 700 PLUS hoses

Connection 1 SAE flange connection 6000 PSI

Sealing form 1 flat seal with SF O-ring

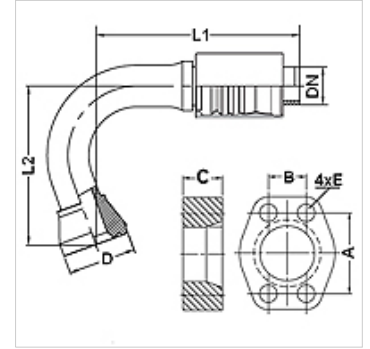
Integration with pull-out protection (interlock)

Scope of supply Swage nipple + swage ferrule

Additional feature cone SAE fitting

Material Steel

Surface electro galvanised



Item

Identification	DN	Size	Inches	Flange size	M metr.	L1 (mm)	L2 (mm)	A (mm)	B (mm)	C (mm)	E (mm)
PA 732 SK6 135 PLUS	31	20	1.1/4"	1.1/4"		122,7	141,2	66,6	31,8	32,0	15

Accessories

FS Seal for SAE and ISO flanges

SCHRAUBE M Hexagon socket screw

SCHRAUBE M VZ Hexagon socket screw