

# PA 700 SK6 105 PLUS

Swage fitting, SK6 angle 105°

**HANSA FLEX**

## Properties

**Application** Swage fitting for HD 700 PLUS hoses

**Connection 1** SAE flange connection 6000 PSI

**Sealing form 1** flat seal with SF O-ring

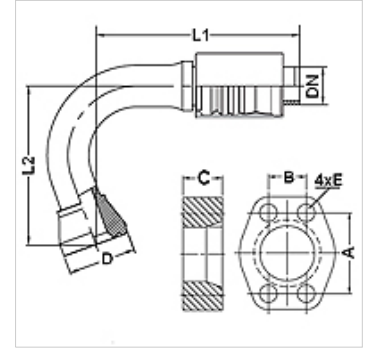
**Integration** with pull-out protection (interlock)

**Scope of supply** Swage nipple + swage ferrule

**Additional feature** cone SAE fitting

**Material** Steel

**Surface** electro galvanised



## Item

Identification	DN	Size	Inches	Flange size	D (mm)	M metr.	L1 (mm)	L2 (mm)	A (mm)	B (mm)	C (mm)	E (mm)
PA 732 SK6 40 105 L 135 P	31	20	1.1/4"	1.1/2"	68,4		206,8	140,0	79,3	36,5	40,0	17
PA 740 SK6 105 PLUS	38	24	1.1/2"	1.1/2"	68,4		224,0	155,0	79,3	36,5	40,0	17
PA 750 SK6 105 PLUS	51	32	2"	2"	83,5		267,6	200,8	96,8	44,5	50,0	21

## Accessories

**FS** Seal for SAE and ISO flanges

**SCHRAUBE M** Hexagon socket screw

**SCHRAUBE M VZ** Hexagon socket screw