

PA 700 SK6 60 PLUS

Swage fitting, SK6 angle 60°

HANSA FLEX

Properties

Application Swage fitting for HD 700 PLUS hoses

Connection 1 SAE flange connection 6000 PSI

Sealing form 1 flat seal with SF O-ring

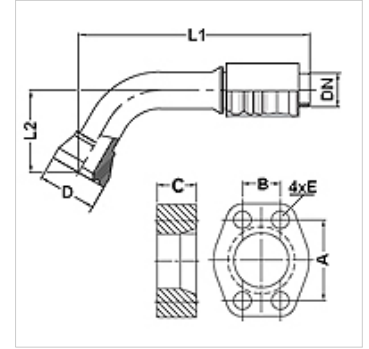
Integration with pull-out protection (interlock)

Scope of supply Swage nipple + swage ferrule

Additional feature cone SAE fitting

Material Steel

Surface electro galvanised



Item

Identification	DN	Size	Inches	Flange size	D (mm)	M metr.	L1 (mm)	L2 (mm)	A (mm)	B (mm)	C (mm)	E (mm)
PA 732 SK6 60 PLUS	31	20	1.1/4"	1.1/4"	57,4		228,3	80,0	66,6	31,8	32,0	15
PA 740 SK6 60 PLUS	38	24	1.1/2"	1.1/2"	68,4		291,0	115,0	79,3	36,5	40,0	17
PA 750 SK6 60 PLUS	51	32	2"	2"	83,5		328,4	120,0	96,8	44,5	50,0	21

Accessories

FS Seal for SAE and ISO flanges

SCHRAUBE M Hexagon socket screw

SCHRAUBE M VZ Hexagon socket screw