

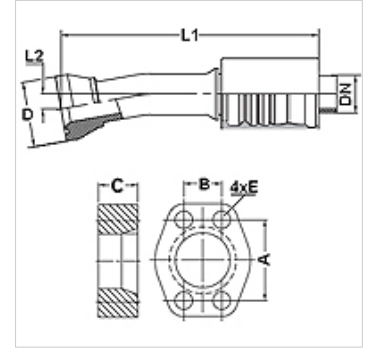
# PA 700 SK6 10 PLUS

Swage fitting, SK6 angle 10°

**HANSA FLEX**

## Properties

|                           |                                      |
|---------------------------|--------------------------------------|
| <b>Application</b>        | Swage fitting for HD 700 PLUS hoses  |
| <b>Connection 1</b>       | SAE flange connection 6000 PSI       |
| <b>Sealing form 1</b>     | flat seal with SF O-ring             |
| <b>Integration</b>        | with pull-out protection (interlock) |
| <b>Scope of supply</b>    | Swage nipple + swage ferrule         |
| <b>Additional feature</b> | cone SAE fitting                     |
| <b>Material</b>           | Steel                                |
| <b>Surface</b>            | electro galvanised                   |



## Item

| Identification            | DN | Size | Inches | Flange size | D<br>(mm) | M metr. | L1<br>(mm) | L2<br>(mm) | A<br>(mm) | B<br>(mm) | C<br>(mm) | E<br>(mm) |
|---------------------------|----|------|--------|-------------|-----------|---------|------------|------------|-----------|-----------|-----------|-----------|
| <b>PA 740 SK6 10 PLUS</b> | 38 | 24   | 1.1/2" | 1.1/2"      | 68,4      |         | 215,0      | 20,0       | 79,3      | 36,5      | 40,0      | 17        |

## Accessories

|                      |                              |
|----------------------|------------------------------|
| <b>FS</b>            | Seal for SAE and ISO flanges |
| <b>SCHRAUBE M</b>    | Hexagon socket screw         |
| <b>SCHRAUBE M VZ</b> | Hexagon socket screw         |