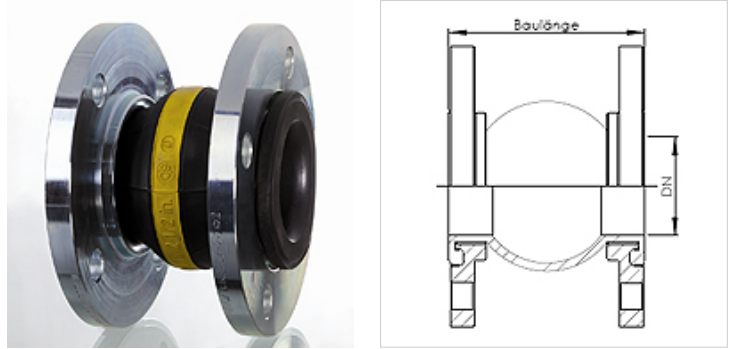


# KOMP-LOS ELASTOMER

## Elastomer expansion joints with loose-type flanges

### Properties

<b>Application</b>	Expansion joint for absorbing vibrations and noise
<b>Design</b>	Single corrugation bellows with steel, nylon or aramid pressure carrier inserts. attached protrusions to receive two-sided loose flanges
<b>Material</b>	Elastomer bellows Steel / stainless steel loose flanges
<b>Temp. range</b>	



### Note

Since these expansion joints are often not standard items, we refer customers to the variant selection on the expansion joint selection questionnaire (see additional documents).

With this information, of course we will then manufacture for you the expansion joint that is adapted perfectly to your needs.

Please follow the applicable installation guidelines for its expansion joint.

If you have any questions, please contact the metal hose business division.

### Ordering information

The delivery period depends to a large degree on the material and design of the expansion joint.

### Item

Identification

**Elastomer-Komp. m. Losflansch**