

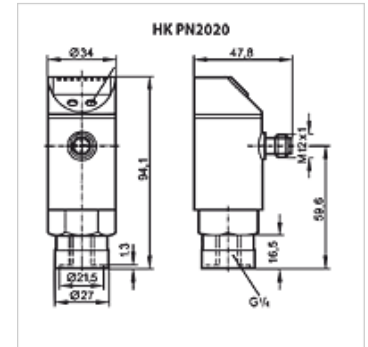
HK PN2020

Pressure sensor controller PN2020

HANSA FLEX

Properties

Operating temperature max.	80 °C
Connection	G 1/4" female thread
Operating voltage	24 V DC
Electrical connection	Round plug connector M 12 x 1, 4-pol.
Material	Housing: Stainless steel V2A Parts in contact with media: Stainless steel V2A
Scope of supply	without plug
protection class	IP 65



Description

Compact unit comprising pressure switch, pressure sensor and LED indicator
Output: 2x PNP (freely programmable, NC/NO, window/hysteresis)
1 output can be set as an analogue output (0-10 V / 4-20 mA, scalable 1:4)
Accuracy ± 0.5 % of range limit value
Min./max. value memory

Item

Identification	Measuring range	Weight (kg)
HK PN2020 PN400 SBR	0 to 400 bar	0,3

Accessories

HK DSR 4POL	M12 4-pin angle plug with cable
-------------	---------------------------------