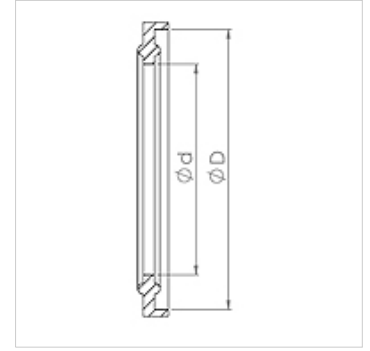


DIRITRI-PTFE

Sealing ring for TRI-Clamp connector

Properties

Application	Sealing ring for TRI-Clamp connector
Standard	DIN 32676
Design	PTFE form sealing ring
Material	PTFE
Temp. range	from -200 °C to 260 °C



Ordering information

Other designs available on request

Item

Identification	DN	D (mm)	d (mm)
DIRITRI DN10 D34 PT	10	34,0	10,2
DIRITRI DN15 D34 PT	15	34,0	16,2
DIRITRI DN20 D34 PT	20	34,0	20,2
DIRITRI DN25 D50.5 PT	25	50,5	26,2
DIRITRI DN32 D50.5 PT	32	50,5	32,2
DIRITRI DN40 D50.5 PT	40	50,5	38,2
DIRITRI DN50 D64 PT	50	64,0	50,2
DIRITRI DN65 D91 PT	65	91,0	66,2
DIRITRI DN80 D106 PT	80	106,0	81,2
DIRITRI DN100 D119 PT	100	119,0	100,2
DIRITRI DN125 D133 PT	125	155,0	125,2
DIRITRI DN150 D183 PT	150	183,0	150,2