

# GV HB IR T

Rotary fitting, friction bearing

**HANSA FLEX**

## Properties

**Connection 1** BSP external thread, cylindrical

**Sealing form 1** 60° inner cone

**Connection 2** BSP cylindrical internal threads

**Sealing form 2** Flat seal

**Design** Rotary fitting

**Construction type** Friction bearing

**Construction** straight

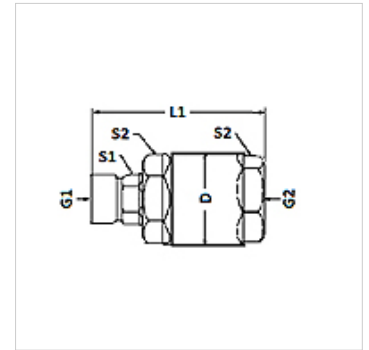
**Operating pressure** max. 410 bar

**Temp. min.** -40 °C

**Temp. max.** 100 °C

**Material** Steel

**Surface** electro galvanised



## Item

Identification	G1	G2	D (mm)	L1 (mm)	S1	S2
GV HB 08 IR T	G 1/2" -14	G 1/2" -14	38,86	74,68	3/4"	
GV HB 12 IR T	G 3/4" -14	G 3/4" -14	50,80	96,77		
GV HB 16 IR T	G 1" -11	G 1" -11	56,39	109,47		

SW, S1, S2 = With across flats