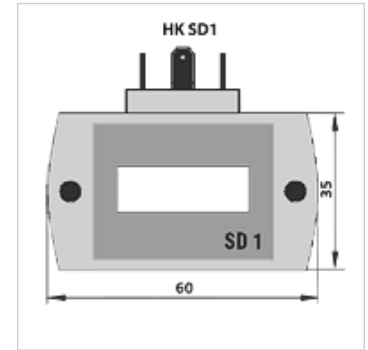


HK SD1

Plug-in display digital

Properties

| | |
|----------------------------|-----------------------------|
| Operating temperature max. | 80 °C |
| Material | Housing: Aluminium |
| Use | For gear flow meters HK VCA |



Description

The on-site display for the gear flow meter HK VCA with plug-in connection in accordance with DIN 43650 is usable in the widest possible range of applications. The display is simply inserted between the plug and socket of the flow meter. As with standard meters, square wave signal output is available to allow external processing.

The plug-in display is freely programmable. All the necessary settings can be made using two buttons. The programmed data are stored on an EEPROM and are therefore permanently retained, even in the event of power outages.

Display: 7-segment LED

Keypad: 2 keys behind front panel

Supply voltage: 24 VDC

Protection class IP 64 DIN 40050

Item

| Identification | Design | Weight (kg) |
|----------------|------------------------------------|-------------|
| HK SD1 I 24 | Output 0-20 mA / 4-20 mA | 0,2 |
| HK SD1 K 24 | Output 2x relay contact 24VDC / 1A | 0,2 |

Accessory for following products

| | |
|--------|-----------------|
| HK VCA | Gear flow meter |
|--------|-----------------|