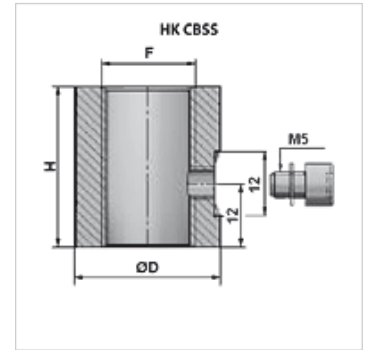


HK CBSS

Oil fitting with bleeding

Properties

Material Steel 9SMn28



Item

Identification	F	H (mm)	Ø D (mm)	Weight (kg)
HK CBSS 04 30 M6	G 1/4"	30	22	0,06
HK CBSS 06 30 M6	G 3/8"	30	26	0,08
HK CBSS 08 30 M6	G 1/2"	30	30	0,10