

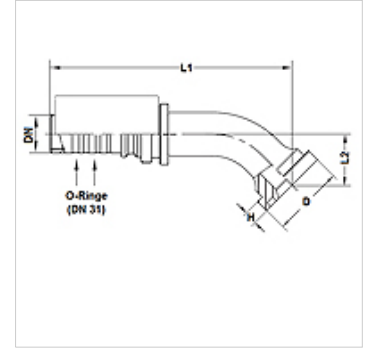
PA 800 SF6 45

Swage fitting, SFS angle 45°

HANSA FLEX

Properties

Application	Swage fitting for HD 800 hoses
Connection 1	SAE flange connection 6000 PSI
Sealing form 1	flat seal with SF O-ring
Standard	SAE J518 ISO 6162-2
Short code	SFS
Integration	with pull-out protection (interlock)
Scope of supply	Swage nipple + swage ferrule
Material	Steel
Surface	electro galvanised



Note

Added innovative and unique new O-ring seal 27,3mm x 2,4mm (Material:EPDM)to the -20 size nipples. The O-ring design prevents fluid migration thus providing zero leakage as measured to SAE and EN specifications

Item

Identification	DN	Size	Inches	Flange size	D (mm)	H (mm)	L1 (mm)	L2 (mm)	Operating pressure (bar)
PA 820 SF6 45	19	12	3/4"	3/4"	41,3	8,8	130,1	27,0	500,0
PA 820 SF6 25 45	19	12	3/4"	1"	47,6	9,6	144,9	32,0	500,0
PA 825 SF6 45	25	16	1"	1"	47,6	9,6	160,6	31,0	500,0
PA 825 SF6 32 45	25	16	1"	1.1/4"	54,0	10,4	179,6	39,0	500,0
PA 832 SF6 45	31	20	1.1/4"	1.1/4"	54,0	10,4	190,0	39,0	500,0