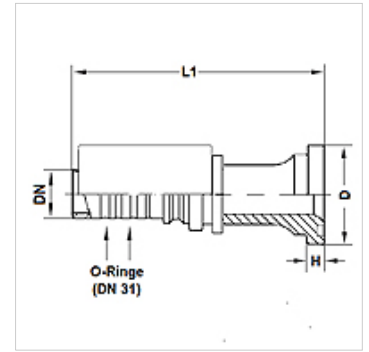


PA 800 SF6

Swage fitting, SFS

Properties

Application	Swage fitting for HD 800 hoses
Connection 1	SAE flange connection 6000 PSI
Sealing form 1	flat seal with SF O-ring
Standard	SAE J518 ISO 6162-2
Short code	SFS
Integration	with pull-out protection (interlock)
Scope of supply	Swage nipple + swage ferrule
Material	Steel
Surface	electro galvanised



Note

Added innovative and unique new O-ring seal 27,3mm x 2,4mm (Material:EPDM)to the -20 size nipples. The O-ring design prevents fluid migration thus providing zero leakage as measured to SAE and EN specifications

Item

Identification	DN	Size	Inches	Flange size	D (mm)	H (mm)	L1 (mm)	Operating pressure (bar)
PA 820 SF6	19	12	3/4"	3/4"	41,3	8,8	110,6	500,0
PA 820 SF6 25	19	12	3/4"	1"	47,6	9,6	118,2	500,0
PA 825 SF6	25	16	1"	1"	47,6	9,6	134,0	500,0
PA 825 SF6 32	25	16	1"	1.1/4"	54,0	10,4	134,9	500,0
PA 832 SF6 25	31	20	1.1/4"	1"	47,6	9,6	166,4	500,0
PA 832 SF6	31	20	1.1/4"	1.1/4"	54,0	10,5	145,2	500,0