

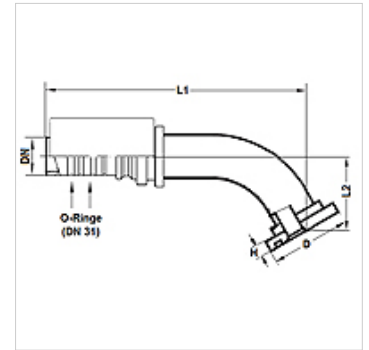
PA 800 SF6 60

Swage fitting, SFS angle 60°

HANSA FLEX

Properties

Application	Swage fitting for HD 800 hoses
Connection 1	SAE flange connection 6000 PSI
Sealing form 1	flat seal with SF O-ring
Standard	SAE J518 ISO 6162-2
Short code	SFS
Integration	with pull-out protection (interlock)
Scope of supply	Swage nipple + swage ferrule
Material	Steel
Surface	electro galvanised



Note

Added innovative and unique new O-ring seal 27,3mm x 2,4mm (Material:EPDM)to the -20 size nipples. The O-ring design prevents fluid migration thus providing zero leakage as measured to SAE and EN specifications

Item

Identification	DN	Size	Inches	Flange size	D (mm)	H (mm)	L1 (mm)	L2 (mm)	Operating pressure (bar)
PA 832 SF6 60	31	20	1.1/4"	1.1/4"	54,0	10,4	224,1	60,0	500,0