

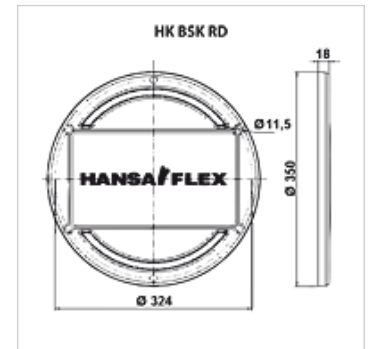
HK BSK RD

Cleaning hatch cover for steel tank, Type BSK

HANSA FLEX

Properties

Design	Pitch circle diameter 324 mm with seal
Material	Cast iron Aluminium



Description

Servicing cover for steel tank type BSK (from size 63) with HANSA-FLEX logo

Item

Identification	Weight (kg)
HK BSK RD 324 HF	1,30

Spare part for following products

HK BSK	BSK hydraulic tank (with cleaning hatch)
--------	--