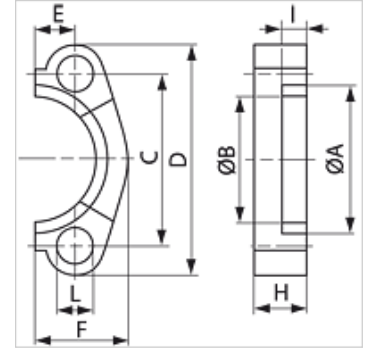


HF (6000 PSI)

SAE flange half, flat

Properties

Pressure series	6000 psi
Standard	SAE J 518 C ISO 6162
Construction type	Flat
Construction	straight
Design	SAE flange half
Mounting	Screw bore hole
Scope of supply	flange only
Material	Steel C 60
Surface	electro galvanised



Note

Recommended screws are listed in the columns M (metr) and M (unc).

Item

Identification	PB 10.9 (bar)	Size	A (mm)	B (mm)	C (mm)	D (mm)	E (mm)	F (mm)	H (mm)	I (mm)	L (mm)	M metr.	M unc
HF 6001	400	1/2"	32,5	24,6	40,5	56	9,1	23,6	16	7,2	9	M 8 x 30	5/16" x 1.1/4"
HF 6002	400	3/4"	42,1	32,5	50,8	71	11,9	30,0	20	8,3	11	M 10 x 35	3/8" x 1.1/2"
HF 6003	400	1"	48,4	38,9	57,2	81	13,9	34,8	25	9,0	13	M 12 x 45	7/16" x 1.3/4"
HF 6004	400	1.1/4"	54,8	44,5	66,7	95	15,9	38,6	27	9,8	15	M 14 x 45	1/2" x 1.3/4"
HF 6005	400	1.1/2"	64,3	51,6	79,4	113	18,3	47,5	30	12,1	17	M 16 x 50	5/8" x 2"

PN = Nominal pressure PB = Max. operating pressure