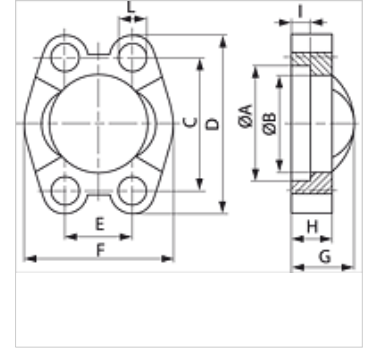


VF (6000 PSI)

SAE full flange

Properties

Pressure series	6000 psi
Design	SAE full flange
Standard	SAE J518, ISO 6162-1 /-2
Mounting	Screw bore hole
Scope of supply	flange only
Material	Steel
Surface	electro galvanised



Note

Recommended screws are listed in the columns M (metr) and M (unc).

Item

Identification	Flange size	PB 10.9 (bar)	A (mm)	B (mm)	C (mm)	D (mm)	E (mm)	F (mm)	G (mm)	H (mm)	I (mm)	L (mm)	M metr.	M unc
VF 6001	1/2"	400	32,5	24,6	40,5	56	18,2	47,2	22	16	7,2	8,7	M 8 x 30	5/16" x 1.1/4"
VF 6002	3/4"	400	42,1	32,5	50,8	71	23,8	60,0	28	19	8,3	10,7	M 10 x 35	3/8" x 1.1/2"
VF 6003	1"	400	48,4	38,9	57,2	81	27,8	69,9	33	24	9,0	13,0	M 12 x 45	-
VF 6003-12	1"	400	48,4	38,9	57,2	81	27,8	69,9	33	24	9,0	12,0	-	7/16" x 1.3/4"
VF 6004	1.1/4"	400	54,8	44,5	66,7	95	31,8	77,2	38	27	9,8	14,7	M 14 x 45	1/2" x 1.3/4"
VF 6005	1.1/2"	400	64,3	51,6	79,4	113	36,5	95,0	43	30	12,1	17,0	M 16 x 55	5/8" x 2"
VF 6006	2"	400	80,2	67,6	96,8	133	44,5	113,8	52	37	12,1	21,0	M 20 x 70	3/4" x 2.1/2"

PN = Nominal pressure PB = Max. operating pressure - Series: LL = Very light L = Light S = Heavy - Ø = External pipe diameter

Accessories

AFS SCHR M	Metric screw set, hexagon socket
AFS SCHR U	UNC screw set, hexagon socket
SCHRAUBE M	Hexagon socket screw
SCHRAUBE M VZ	Hexagon socket screw