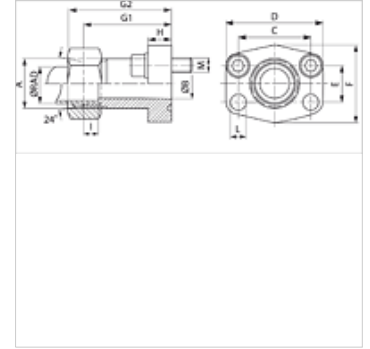
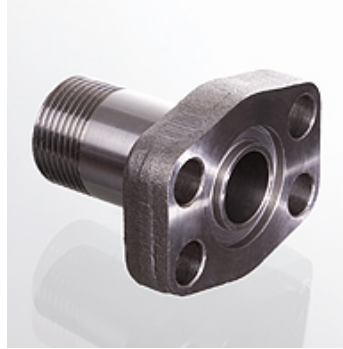


# AFG M (6000 PSI)

## SAE external thread flange

### Properties

<b>Pressure series</b>	6000 psi
<b>Standard</b>	DIN 3901/3902
<b>Construction</b>	straight
<b>Design</b>	SAE external thread flange
<b>Mounting</b>	Screw bore hole
<b>Scope of supply</b>	flange only
<b>Material</b>	S355J2G3 (ST52.3)
<b>Surface</b>	black oiled



### Note

In accordance with SAE J 518 C, the specified nominal pressure is defined by the flange or based on the pipe to be welded on. Recommended screws are listed in the columns M (metr) and M (unc).

### Item

Identification	Series	Ø RAD (mm)	PB 10.9 (bar)	Size	A	Ø B (mm)	C (mm)	E (mm)	G1 (mm)	I (mm)	L (mm)	M metr.	M unc
<b>AFG 401 M/S16</b>	S	16	400	1/2"	M24x1,5	12	40,5	18,2	60	8,5	9,0	M 8 x 30	5/16" x 1.1/4"
<b>AFG 402 M/S25</b>	S	25	400	3/4"	M36x2	19	50,8	23,8	73	12,0	11,5	M 10 x 35	3/8" x 1.1/2"
<b>AFG 403 M/S30</b>	S	30	400	1"	M42x2	25	57,2	27,8	82	13,5	13,0	M 12 x 45	7/16" x 1.3/4"
<b>AFG 404 M/S30</b>	S	30	400	1.1/4"	M42x2	25	66,7	31,8	92	13,5	*1	M 14 x 50	1/2" x 1.3/4"
<b>AFG 404 M/S38</b>	S	38	400	1.1/4"	M52x2	29	66,7	31,8	92	16,0	*1	M 14 x 50	1/2" x 1.3/4"
<b>AFG 405 M/S38</b>	S	38	400	1.1/2"	M52x2	32	79,4	36,5	96	16,0	17,5	M 16 x 50	5/8" x 2"

PN = Nominal pressure PB = Max. operating pressure – Ø = External pipe diameter – Series: LL = Very light L = Light S = Heavy

\*1) = 15.0 for metric screws; 13.5 for UNC screws

### Product versions

<b>AFG M M (3000 / 6000 PSI)</b>	SAE external thread flange, with metric screw set and O-ring
<b>AFG M U (3000 / 6000 PSI)</b>	SAE external thread flange, with UNC screw set and O-ring