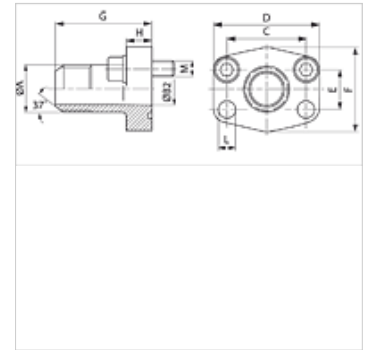


AFG JIC (6000 PSI)

SAE external thread flange

Properties

Pressure series	6000 psi
Standard	SAE J 518 C ISO 6162
Construction	straight
Design	SAE external thread flange
Mounting	Screw bore hole
Scope of supply	flange only
Material	S355J2G3 (ST52.3)
Surface	black oiled



Note

The stated maximum working pressure relates to the flange. The actual working pressure is determined by the pipe (wall thickness) and the quality of the pipe.

Recommended screws are listed in the columns M (metr) and M (unc).

Item

Identification	PB 10.9 (bar)	Size	A	Ø B (mm)	C (mm)	D (mm)	E (mm)	F (mm)	G (mm)	H (mm)	L (mm)	M metr.	M unc
AFG 401 JIC 3/4	400	1/2"	UNF 3/4" -16	9,9	40,5	56	18,2	48	60	16	9,0	M 8 x 30	5/16" x 1.1/4"
AFG 401 JIC 7/8	400	1/2"	UNF 7/8" -14	12,3	40,5	56	18,2	48	60	16	9,0	M 8 x 30	5/16" x 1.1/4"
AFG 402 JIC 1 1/16	400	3/4"	UNF 1 1/16" -12	15,5	50,8	71	23,8	60	73	19	11,5	M 10 x 35	3/8" x 1.1/2"
AFG 403 JIC 1 5/16	400	1"	UN 1.5/16" -12	21,5	57,2	81	27,8	70	82	24	13,0	M 12 x 45	7/16" x 1.3/4"
AFG 404 JIC 1 5/16	400	1.1/4"	UN 1.5/16" -12	21,5	66,7	95	31,8	78	92	27	*1	M 14 x 50	1/2" x 1.3/4"
AFG 404 JIC 1 5/8	400	1.1/4"	UN 1.5/8" -12	27,5	66,7	95	31,8	78	92	27	*1	M 14 x 50	1/2" x 1.3/4"
AFG 405 JIC 1 7/8	400	1.1/2"	UN 1.7/8" -12	33,0	79,4	113	36,5	95	96	30	17,5	M 16 x 50	5/8" x 2"

Series: LL = Very light L = Light S = Heavy – Ø = External pipe diameter – PN = Nominal pressure PB = Max. operating pressure

*1) = 15.0 for metric screws; 13.5 for UNC screws

Product versions

AFG JIC U (3000 / 6000 PSI)	SAE external thread flange, with UNC screw set and O-ring
AFG JIC M (3000 / 6000 PSI)	SAE external thread flange, with metric screw set and O-ring