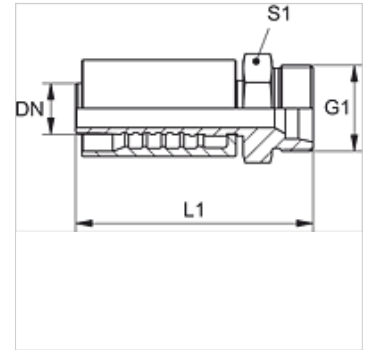


# PA 700 HL

Swage fitting, CEL

## Properties

<b>Application</b>	Swage fitting for HD 700 hoses
<b>Connection 1</b>	metric cylindrical outer thread
<b>Sealing form 1</b>	24° inner cone
<b>Short code</b>	CEL / CES
<b>Standard</b>	ISO 8434-1
<b>Integration</b>	with pull-out protection (interlock)
<b>Scope of supply</b>	Swage nipple + swage ferrule
<b>Material</b>	Steel
<b>Surface</b>	electro galvanised



## Item

Identification	DN	Size	Inches	Series	G1	for external pipe Ø (mm)
PA 710 HL	10	6	3/8"	L	M 18 x 1.5	12
PA 713 HL	12	8	1/2"	L	M 22 x 1.5	15
PA 716 HL	16	10	5/8"	L	M 26 x 1.5	18

## Product versions

PA 700 HS VA	Swage fitting, CES, Stainless steel
--------------	-------------------------------------