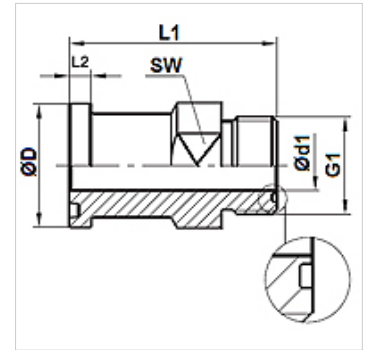


SFCE HJOF (6000 PSI)

SAE flange adapter ORFS

Properties

Pressure series	6000 psi
Construction	straight
Design	SAE external thread flange
Scope of supply	connecting piece only
Surface	electro galvanised



Item

Identification	Pressure PB (bar)	Size	G1	Ø D (mm)	Ø d1 (mm)	L1 (mm)	AF (mm)
SFCE 6002 HJOF 12	400	3/4"	1.3/16" -12 UN	41,5	15,5	58	30
SFCE 6003 HJOF 16	400	1"	1.7/16" -12 UN	47,8	20,5	66	36
SFCE 6004 HJOF 16	400	1.1/4"	1.7/16" -12 UN	54,2	20,5	70	41
SFCE 6004 HJOF 20	350	1.1/4"	1.11/16" -12 UN	54,2	26,0	70	41
SFCE 6005 HJOF 24	310	1.1/2"	2" -12 UN	63,7	32,0	78	46