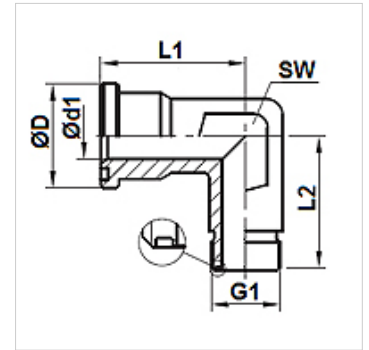


# WFG HJOF (3000 PSI)

SAE flange adapter ORFS angle 90°

## Properties

<b>Pressure series</b>	3000 psi
<b>Construction</b>	Angle 90°
<b>Design</b>	SAE external thread flange
<b>Scope of supply</b>	flange only
<b>Material</b>	Steel
<b>Surface</b>	electro galvanised



## Item

Identification	Pressure PB (bar)	Size	G1	Ø D (mm)	Ø d1 (mm)	L1 (mm)	L2 (mm)	AF (mm)
<b>WFG 3002 HJOF 12</b>	350	3/4"	1.3/16" -12 UN	38,3	15,5	42,0	45,0	30
<b>WFG 3003 HJOF 16</b>	315	1"	1.7/16" -12 UN	44,7	20,5	45,0	50,0	36
<b>WFG 3004 HJOF 20</b>	250	1.1/4"	1.11/16" -12 UN	51,0	26,0	50,0	59,0	41
<b>WFG 3005 HJOF 24</b>	200	1.1/2"	2" -12 UN	60,5	32,0	55,0	64,0	50