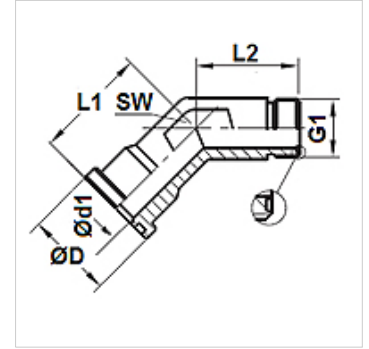


# WFG 45 HJOF (6000 PSI)

SAE flange adapter ORFS angle 45°

## Properties

<b>Pressure series</b>	6000 psi
<b>Construction</b>	Angle 45°
<b>Design</b>	SAE external thread flange
<b>Scope of supply</b>	flange only
<b>Material</b>	Steel
<b>Surface</b>	electro galvanised



## Item

Identification	Pressure PB (bar)	Size	G1	Ø D (mm)	Ø d1 (mm)	L1 (mm)	L2 (mm)	AF (mm)
<b>WFG 6002-45 HJOF 12</b>	400	3/4"	1.3/16" -12 UN	41,5	15,5	40,2	32,5	32
<b>WFG 6003-45 HJOF 16</b>	400	1"	1.7/16" -12 UN	47,8	20,5	47,0	37,4	41
<b>WFG 6004-45 HJOF 20</b>	350	1.1/4"	1.11/16" -12 UN	54,2	26,0	51,8	40,4	46
<b>WFG 6005-45 HJOF 24</b>	310	1.1/2"	2" -12 UN	63,7	32,0	60,5	45,2	50