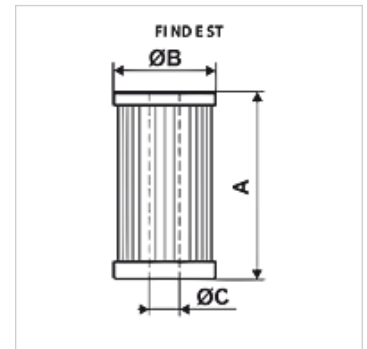


FI ND E ST

Filter element for low-pressure filter ST

Properties

Temp. min.	-25 °C
Temp. max.	120 °C
Material	Gasket: NBR
Operating pressure	Max. 10 bar



Item

Identification	Filter mesh size (μm)	Filter material	A (mm)	Ø B (mm)	Ø C (mm)	Weight (kg)
FI ND E ST 0010 A06	6,0	inorganic	305,0	102,0	63,5	0,5

Qmax - max intake volumetric flow