

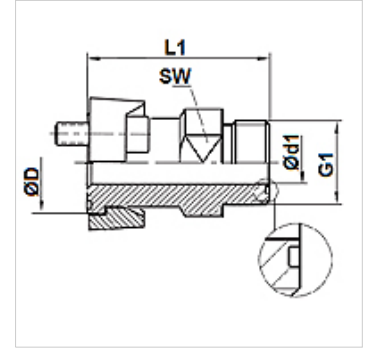
# SFCE HJOF M (6000 PSI)

SAE flange adapter ORFS

**HANSA FLEX**

## Properties

<b>Pressure series</b>	6000 psi
<b>Construction</b>	straight
<b>Design</b>	SAE external thread flange
<b>Scope of supply</b>	with 2 flange halves, screw set and O-ring
<b>Surface</b>	electro galvanised



## Item

Identification	Pressure PB (bar)	Size	G1	Ø D (mm)	Ø d1 (mm)	L1 (mm)	AF (mm)
SFCE 6002 HJOF 12 M	400	3/4"	1.3/16" -12 UN	41,5	15,5	58	30
SFCE 6003 HJOF 16 M	400	1"	1.7/16" -12 UN	47,8	20,5	66	36
SFCE 6004 HJOF 16 M	400	1.1/4"	1.7/16" -12 UN	54,2	20,5	70	41
SFCE 6004 HJOF 20 M	350	1.1/4"	1.11/16" -12 UN	54,2	26,0	70	41
SFCE 6005 HJOF 24 M	310	1.1/2"	2" -12 UN	63,7	32,0	78	46