

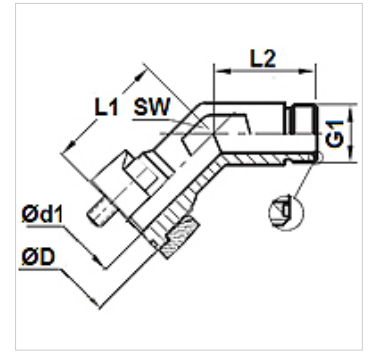
WFG 45 HJOF M (3000 PSI)

SAE flange adapterr ORFS angle 45°

HANSA FLEX

Properties

Pressure series	3000 psi
Construction	Angle 45°
Design	SAE external thread flange
Scope of supply	with 2 flange halves, screw set and O-ring
Material	Steel
Surface	electro galvanised



Item

Identification	Pressure PB (bar)	Size	G1	Ø D (mm)	Ø d1 (mm)	L1 (mm)	L2 (mm)	AF (mm)
WFG 3003-45 HJOF 16 M	315	1"	1.7/16" -12 UN	44,7	20,5	47,0	37,4	36
WFG 3004-45 HJOF 20 M	250	1.1/4"	1.11/16" -12 UN	51,0	26,0	51,8	40,4	41