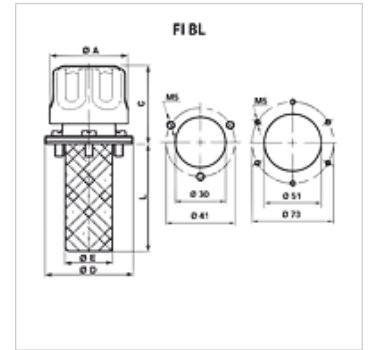


# FI BL FP

## Tank venting filters

### Properties

<b>Design</b>	Flange mounting on the tank, with filler screen Typ FI BL 080 F P10 003 lockable
<b>Temp. min.</b>	-25 °C
<b>Temp. max.</b>	100 °C
<b>Material</b>	Chrome-plated steel, cork gasket
<b>Filter material</b>	non-organic



### Item

Identification	Filter mesh size ( $\mu\text{m}$ )	Air volume (L/min)	B (mm)	Mounting	C (mm)	L (mm)	Bolt circle (mm)	$\varnothing$ A (mm)	$\varnothing$ D (mm)	$\varnothing$ E (mm)	Tank bore	Weight (kg)
FI BL 046 F P03 002	3	150	110	3 x M5	46	64,0	41	46,00	52	28	30 mm	0,10
FI BL 046 F P10 002	10	200	110	3 x M5	46	64,0	41	46,00	52	28	30 mm	0,10
FI BL 080 F P03 080	3	450	141	6 x M5	61	80,0	73	80,00	83	50	51 mm	0,33
FI BL 080 F P03 150	3	450	211	6 x M5	61	150,0	73	80,00	83	50	51 mm	0,33
FI BL 080 F P10 003	10	550	141	6 x M5	61	80,0	73	80,00	83	50	51 mm	0,33
FI BL 080 F P10 080	10	550	141	6 x M5	61	80,0	73	80,00	83	50	51 mm	0,33
FI BL 080 F P10 150	10	550	211	6 x M5	61	150,0	73	80,00	83	50	51 mm	0,33

### Accessories

**FI BL SS** Kit baffle for tank ventilation filter