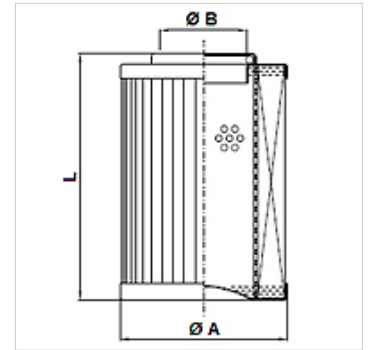
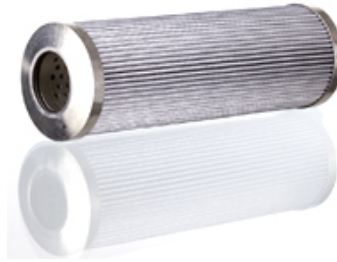


FI ND E MP

Filter element for low-pressure filter MP

Properties

Temp. min.	-25 °C
Temp. max.	120 °C
Material	Gasket: NBR
Operating pressure	Max. 10 bar



Item

Identification	Filter mesh size (μm)	Filter area (cm^2)	Filter material	L (mm)	Ø A (mm)	Ø B (mm)	Weight (kg)
FI ND E MP 0040 A06	6,0	405	inorganic	90,0	42,0	22,8	0,15
FI ND E MP 0150 A10	10,0	2943	inorganic	375,0	78,0	40,5	0,70

Q_{max} - max intake volumetric flow