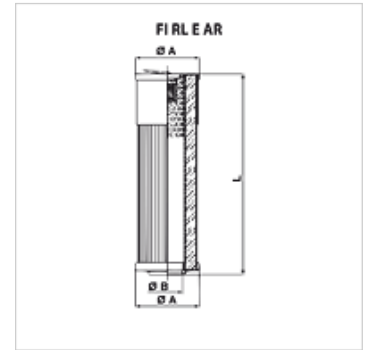


FI R L E AR

Filter element for return filter AR

Properties

Design	with bypass valve 1.5 bar
Temp. min.	-25 °C
Temp. max.	120 °C
Material	Gasket: NBR
Operating pressure	Max. 20 bar



Item

Identification	Filter mesh size (μm)	Filter area (cm^2)	Filter material	Ø A (mm)	Ø B (mm)	L (mm)	Weight (kg)
FI R L E AR 0040 P25 V1.5	25,0	1879	organic	50	19,5	100,00	0,55
FI R L E AR 0050 P16 V1.5	16,0	1879	organic	60	28,5	200,15	0,29