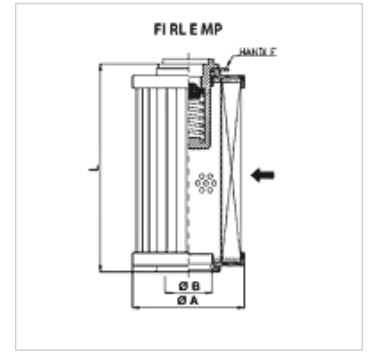


# FI RL E MP

Filter element for return filter MP

## Properties

Temp. min.	-25 °C
Temp. max.	120 °C
Material	Gasket: NBR
Use	For return flow filter FI RL



## Description

Pressure differential for filter element paper (P) max. 3 bar

Pressure differential for inorganic filter element (A) max. 10 bar

## Item

Identification	Filter mesh size (µm)	Filter area (cm <sup>2</sup> )	Qmax (L/min)	Filter material	for filter type	Ø A (mm)	Ø B (mm)	L (mm)	bypass valve	Weight (kg)
FI RL E MP 0072 A10	10,0	313	25	inorganic	FI RL 024, 048	52	24,5	72,00	with	0,16
FI RL E MP 0072 P10	10,0	392	25	organic	FI RL 024, 048	52	24,5	72,00	with	0,16
FI RL E MP 0085 A10	10,0	690	100	inorganic	FI RL 053, 086	70	29,5	85,00	with	0,20
FI RL E MP 0085 P10	10,0	828	100	organic	FI RL 053, 086	70	29,5	85,00	with	0,16
FI RL E MP 0130 A10	10,0	1140	100	inorganic	FI RL 064, 150	70	29,5	130,00	with	0,22
FI RL E MP 0130 P10	10,0	1368	100	organic	FI RL 064, 150	70	29,5	130,00	with	0,22
FI RL E MP 0145 A10	10,0	3600	600	inorganic	FI RL 290, 370	130	51,5	145,00	with	1,00
FI RL E MP 0145 P10	10,0	4000	600	organic	FI RL 290, 370	130	51,5	145,00	with	1,00
FI RL E MP 0204 A10	10,0	5299	300	inorganic	FI RL 320, 450	130	64,5	204,00	with	1,00
FI RL E MP 0204 P10	10,0	5888	300	organic	FI RL 320, 450	130	64,5	204,00	with	1,00
FI RL E MP 0211 A10	10,0	1358	150	inorganic	FI RL 125, 225	70	40,5	211,50	with	0,28
FI RL E MP 0211 P10	10,0	1629	150	organic	FI RL 125, 225	70	40,5	211,50	with	0,28
FI RL E MP 0220 A10	10,0	3360	250	inorganic	FI RL 190, 230	99	40,5	220,00	with	0,70
FI RL E MP 0220 P10	10,0	3840	250	organic	FI RL 190, 230	99	40,5	220,00	with	0,70
FI RL E MP 0254 A10	10,0	6739	380	inorganic	FI RL 420, 540, 675	130	64,5	254,00	with	1,19
FI RL E MP 0254 P10	10,0	7488	380	organic	FI RL 420, 540, 675	130	64,5	254,00	with	1,19
FI RL E MP 0404 A10	10,0	11059	600	inorganic	FI RL 620, 750	130	64,5	404,00	with	2,00
FI RL E MP 0404 P10	10,0	12288	600	organic	FI RL 620, 750	130	64,5	404,00	with	2,00
FI RL E MP 0050 A25	25,0	1140	100	inorganic	FI RL 064, 150	70	29,5	130,00	with	0,28
FI RL E MP 0050 P25	25,0	1368	100	organic	FI RL 064, 150	70	29,5	130,00	with	0,16
FI RL E MP 0120 A25	25,0	3259	300	inorganic	-	99	51,5	210,00	without	0,53
FI RL E MP 0200 A25	25,0	11325	600	inorganic	-	130	76,0	500,00	without	0,50

Qmax - max intake volumetric flow

## Spare part for following products

FI RL Return flow filters

## Additional elements

FI RL GEH Housing for return flow filter