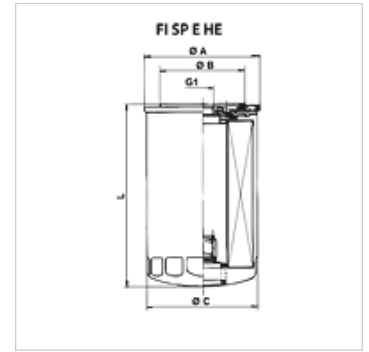


# FI SP E HE

Filter element for spin-on filter HE

## Properties

Temp. min.	-25 °C
Temp. max.	120 °C
Material	Gasket: NBR
Operating pressure	max. 12 bar



## Item

Identification	Filter mesh size ( $\mu\text{m}$ )	Filter material	G1	$\varnothing A$ (mm)	$\varnothing B$ (mm)	$\varnothing C$ (mm)	L (mm)	Weight (kg)
FI SP E HE 0260 P15	15,0	organic	1.1/8"-12 UNF	110,0	93,0	107,9	260,9	1,18

Qmax - max intake volumetric flow