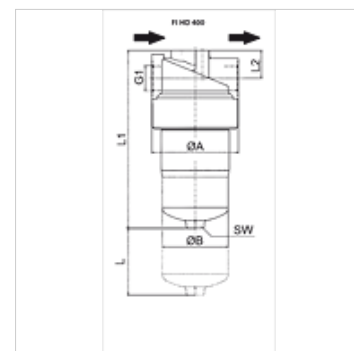


FI HD 400

High pressure filter 400bar

Properties

Design	without bypass valve, without clogging indicator
Temp. min.	-10 °C
Temp. max.	120 °C
Material	Filter head of GGG
Operating pressure	up to 400 bar
Scope of supply	incl. filter element



Note

Dimension "L": clearance required for changing the filter element

Description

Pressure filter for pipeline installation

Pressure differential for filter element inorganic (A) max. 210 bar

Connector for clogging indicator M20 x 1.5 sealed with bolt

Item

Identification	Filter mesh size (µm)	Filter area (cm ²)	G1	Q max. (L/min)	L (mm)	L1 (mm)	L2 (mm)	Ø A (mm)	Ø B (mm)	BD (bar)	AF (mm)	Weight (kg)
FI HD 040 A06 N 001 G12	6,0	470	G 1/2"	40	80,0	189,0	31,0	92,0	66,0	400	27	3,9
FI HD 050 A10 N 001 G12	10,0	470	G 1/2"	50	80,0	189,0	31,0	92,0	66,0	400	27	3,9
FI HD 070 A06 N 001 G34	6,0	900	G 3/4"	70	80,0	267,0	31,0	92,0	66,0	400	27	4,2
FI HD 090 A10 N 001 G34	10,0	900	G 3/4"	90	80,0	267,0	31,0	92,0	66,0	400	27	4,2
FI HD 085 A06 N 001 G34	6,0	1275	G 3/4"	85	80,0	343,0	31,0	92,0	66,0	400	27	5,7
FI HD 100 A10 N 001 G34	10,0	1275	G 3/4"	100	80,0	343,0	31,0	92,0	66,0	400	27	5,7
FI HD 170 A06 N 001 G114	6,0	2010	G 1.1/4"	170	110,0	284,0	46,0	143,5	109,0	400	30	9,4
FI HD 150 A10V N 010	10,0	2010	G 1.1/4"	195	110,0	284,0	46,0	143,5	109,0	400	30	6,0
FI HD 260 A06 N 001 G114	6,0	3800	G 1.1/4"	260	110,0	409,0	46,0	143,5	109,0	400	30	16,5
FI HD 300 A10 N 001 G114	10,0	3800	G 1.1/4"	300	110,0	409,0	46,0	143,5	109,0	400	30	16,5

Qmax - max intake volumetric flow – A10 with inorganic filter (10 µm), absolute filtration – P10 paper filter (10 µm), nominal filtration – BD = Working pressure

Accessories

HK VA PIS M	Clogging indicator mechanical
HK VA PIS EL	Clogging indicator electrical

Spare parts

FI HD E MA	Filter element for high-pressure filter MA
FI HD GEH	High pressure filter 400bar