

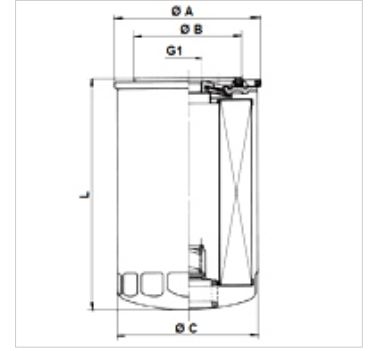
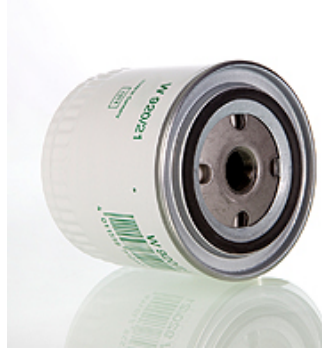
FI SP E MA

Filter element for spin-on filter MA

HANSA FLEX

Properties

Temp. min.	-25 °C
Temp. max.	120 °C
Material	Gasket: NBR
Operating pressure	max. 12 bar



Item

Identification	Filter mesh size (μm)	Filter material	G1	\varnothing A (mm)	\varnothing B (mm)	\varnothing C (mm)	L (mm)	Weight (kg)
FI SP E MA 0004 P20	20,0	organic	1.1/8" -16 UN	108,0	93,0	103,0	261,0	0,42

Qmax - max intake volumetric flow