

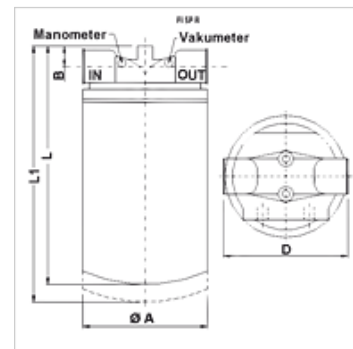
FI SP R 1

Spin-on return flow filter type 1

HANSA FLEX

Properties

Design	with bypass valve 1.75 bar
Temp. min.	-25 °C
Temp. max.	110 °C
Material	Filter head in aluminum Gasket: NBR
Operating pressure	max. 12 bar
Filter mesh size	10 µm



Note

For utilization as a suction filter a suction filter head FI SP S FK *** must be used.

Description

Spin-on filters for pipeline installation

Pressure differential for paper filter element (P) max. 4 bar

Pressure differential for filter inorganic element (A) max. 4 bar

Design (Qmax.) for medium ISO VG 46
at 50°C (30 mm²/s) at Δptot = 0.4 bar

Ordering information

Other filter materials and filters for other types of oil, viscosities or temperatures available on request

Item

Identification	Filter area (cm ²)	Filter material	Line connection	Q max. (L/min)	B (mm)	D (mm)	Ø A (mm)	L (mm)	L1 (mm)	Weight (kg)
FI SP R 48 A10 V G3/4	1900	inorganic	G 3/4"	48	22	95	96,0	180,0	200,0	1,0
FI SP R 55 P10 V G3/4	2240	organic	G 3/4"	55	22	95	96,0	180,0	200,0	1,0
FI SP R 53 A10 V G3/4	3160	inorganic	G 3/4"	53	22	95	96,0	248,0	268,0	1,3
FI SP R 58 P10 V G3/4	4140	organic	G 3/4"	58	22	95	96,0	248,0	268,0	1,3
FI SP R 110 A10 V G11/4	3950	inorganic	G 1.1/4"	110	30	133	129,0	241,0	266,0	2,2
FI SP R 130 P10 V G11/4	4300	organic	G 1.1/4"	130	30	133	129,0	241,0	266,0	2,2
FI SP R 115 A10 V G11/4	5390	inorganic	G 1.1/4"	115	30	133	129,0	286,0	311,0	2,3
FI SP R 150 P10 V G11/4	5760	organic	G 1.1/4"	150	30	133	129,0	286,0	311,0	2,3

Qmax - max intake volumetric flow

Accessories

HK VA MAN Clogging indicator pressure gauge

Spare parts

FI SP E MP	Filter element for spin-on filter MP
FI SP R/S FK	Filter head for spin-on return flow filter / suction filter