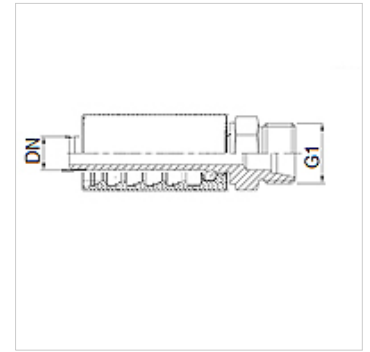


# PAY 500 HL

Swage fitting, CEL

## Properties

<b>Connection 1</b>	metric cylindrical outer thread
<b>Sealing form 1</b>	24° inner cone
<b>Short code</b>	CEL
<b>Standard</b>	ISO 8434-1
<b>Scope of supply</b>	Swage nipple + swage ferrule
<b>Material</b>	Steel
<b>Surface</b>	electro galvanised



## Item

Identification	DN	Size	Inches	G1	for external pipe Ø (mm)
PAY 506 HL	6	4	1/4"	M 14 x 1.5	8
PAY 508 HL	8	5	5/16"	M 16 x 1.5	10
PAY 510 HL	10	6	3/8"	M 18 x 1.5	12
PAY 513 HL	12	8	1/2"	M 22 x 1.5	15
PAY 520 HL	19	12	3/4"	M 30 x 2	22
PAY 525 HL	25	16	1"	M 36 x 2	28