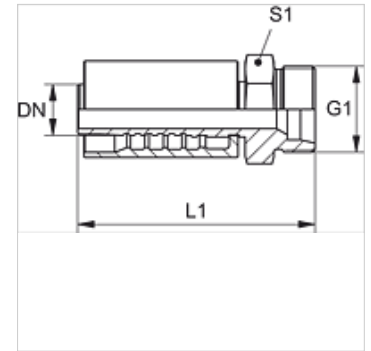


## Properties

<b>Application</b>	Swage fitting for HD 800 hoses
<b>Connection 1</b>	metric cylindrical outer thread
<b>Sealing form 1</b>	24° inner cone
<b>Standard</b>	ISO 8434-1
<b>Short code</b>	CES
<b>Integration</b>	with pull-out protection (interlock)
<b>Scope of supply</b>	Swage nipple + swage ferrule
<b>Material</b>	Steel
<b>Surface</b>	electro galvanised



## Note

Added innovative and unique new O-ring seal 27,3mm x 2,4mm (Material:EPDM)to the -20 size nipples. The O-ring design prevents fluid migration thus providing zero leakage as measured to SAE and EN specifications

## Item

Identification	DN*	Size	Inches	G1	for external pipe Ø (mm)	L1 (mm)	S1	Operating pressure (bar)
PA 816 HS	16	10	5/8"	M 30 x 2	20	86,4	32	500,0
PA 820 HS	19	12	3/4"	M 36 x 2	25	88,4	41	500,0
PA 825 HS	25	16	1"	M 42 x 2	30	110,0	46	500,0
PA 832 HS	31	20	1.1/4"	M 52 x 2	38	124,4	55	500,0