

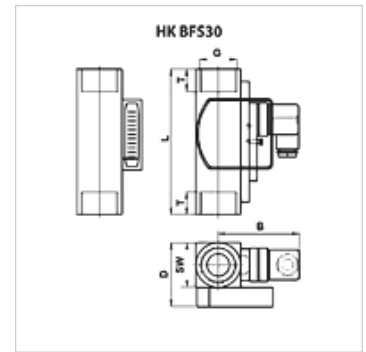
HK BFS 30

Flow switch

HANSA FLEX

Properties

Operating pressure	max. 250 bar
Operating temperature max.	120 °C
Material	Brass



Note

To avoid the risk of measure faults, the upstream line should be 10x ND and the downstream line 5x ND. (ND = internal tube diameter)

Description

Flow switch for any mounting position for liquids from 30 up to 600 cSt.

Changeover contact (250 V / 1,5 A / 50 VA)

Protection class IP 65

Measuring accuracy ± 10 % of range limit value

Item

Identification	Volumetric flow min. (L/min)	Volumetric flow max. (L/min)	B (mm)	D (mm)	G	L (mm)	T (mm)	AF (mm)	Weight (kg)
HK BFS30 010 030 G1 W	10,0	30,0	76	40	G 1"	130	17	40	1,25
HK BFS30 020 060 G1 W	20,0	60,0	76	40	G 1"	130	17	40	1,25
HK BFS30 035 110 G1 W	35,0	110,0	76	40	G 1"	130	17	40	1,25