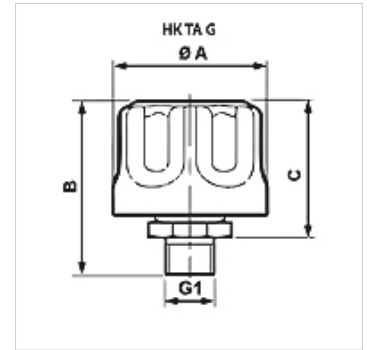


# FI BL GP

## Tank venting filters

### Properties

<b>Design</b>	Screw-in version
<b>Temp. min.</b>	-30 °C
<b>Temp. max.</b>	100 °C
<b>Material</b>	Housing: Polyamide
<b>Filter material</b>	organisch



### Item

Identification	Filter mesh size ( $\mu\text{m}$ )	Air volume (L/min)	B (mm)	C (mm)	G1	Ø A (mm)	Weight (kg)
<b>FI BL 046 G P10</b>	10	200	53	40	G 1/4"	46,00	0,13
<b>FI BL 080 G3/4 P</b>	10	120	67	15	G 3/4"	80,00	0,13
<b>FI BL 080 G P03</b>	3	450	71	55	G 3/4"	80,00	0,33
<b>FI BL 080 G P10</b>	10	550	71	55	G 3/4"	80,00	0,33